

PRODUCT DATA SHEET

MPE Pt No. MSK1448/0.4/4M7

Features

Miniature Pi circuit feedthrough ceramic filter suitable for power and signal lines.

- Hermetically sealed
- Pin terminations
- Material flammability rating UL94 V-0
- MTBF (estimated – Mil-Hdbk-217D) 0.8 million hours

Ratings

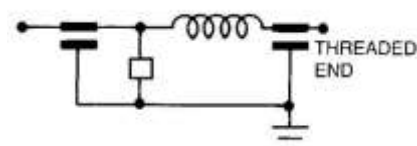
Working Voltage	100 VDC
Working Current	1.0 A @ 125 °C
Shunt Capacitance	200 nF
Insulation Resistance	1000 MΩ
Anti - Static Resister	4M7 Ω
Series Resistance	0.4 Ω
Ambient Temperature Range	-55 °C to 125 °C

Insertion Loss

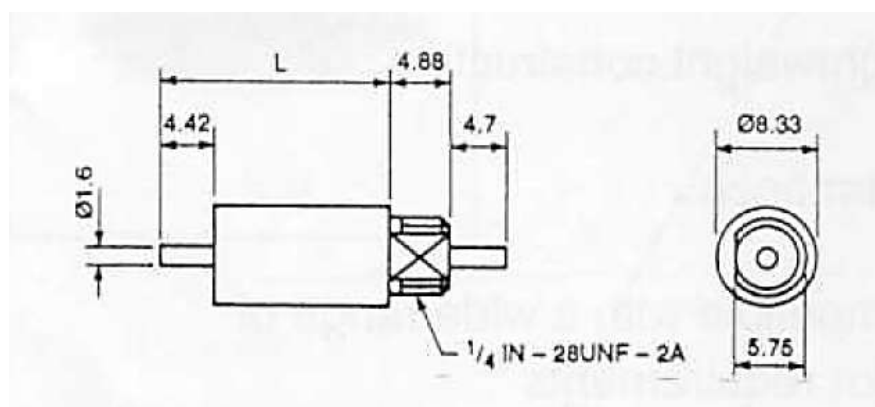
Reference 50 Ω System to CISPR 17

Measured within an RF sealed bell jar								
Frequency	30 kHz	100 kHz	150 MHz	300 kHz	1 MHz	10 MHz	100 MHz	1 GHz
Attenuation	10 dB	32 dB	45 dB	65 dB	80 dB	80 dB	80 dB	80 dB

Circuit Schematic (Pi config)



Dimensions in mm (L = 18.8)



Mechanical & Mounting Details

Case	Bright electroplated tin with copper flash on steel case
Terminals	Bright electroplated tin with copper flash on steel pin
Weight	Approximately 9g
Insulating bush	Glass hermetically sealed
Mounting hardware	Supplied with fixing nut, wavy washer Mounting thread has flats for anti-turn in chassis when mounting

Safety

The user should ensure he is familiar with restrictions on capacitance value, earth leakage current, test voltage, and safety labelling requirements, which may be applicable to his particular installation. The capacitor must be solidly and permanently earthed, both for safe operation and to achieve optimum EMI performance.