

Typical insertion loss in a 50Ω system, measured in accordance with CISPR 17, with or without load

DESCRIPTION

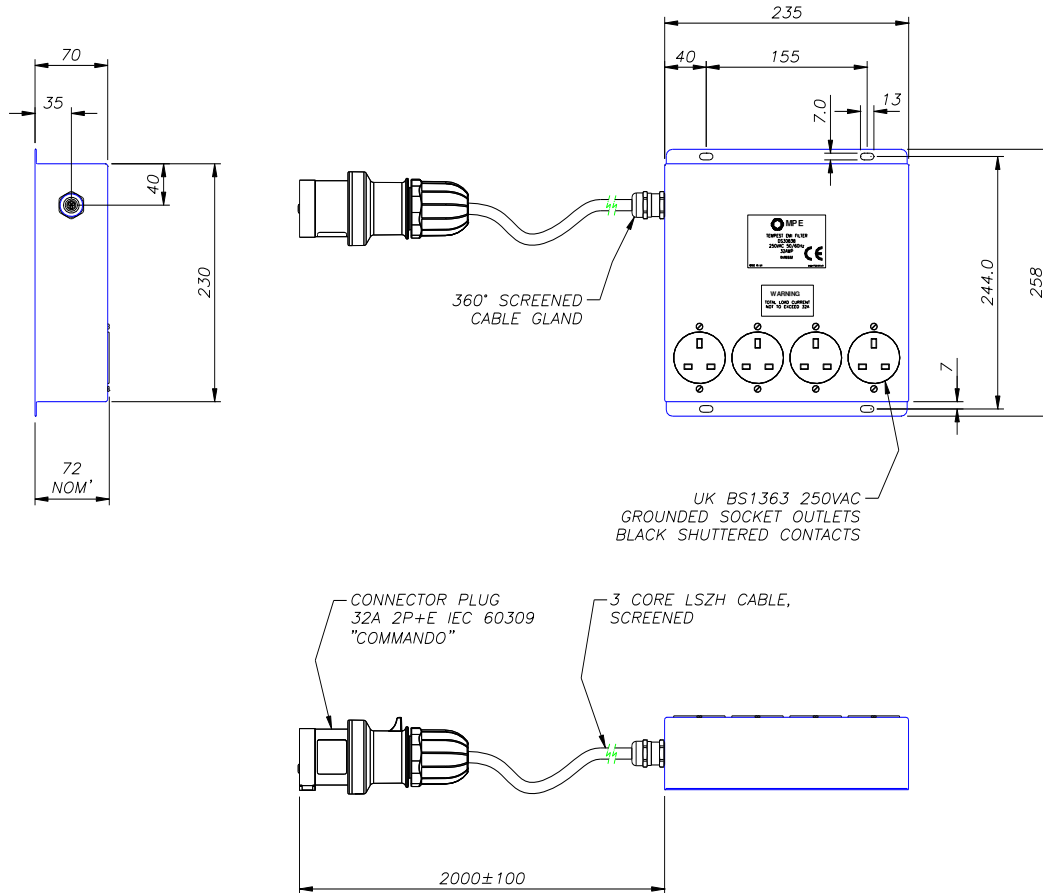
- **TEMPEST EMI SP & N / 2 Phase Filter providing performance to SDIP-27 B/C**
- **Insertion loss of 60dB from 100kHz to 1GHz**
- **Designed for rapid deployment applications where hardwired connections are not practical**
- **Quad UK Standard BS1363 3-pin output socket**
- **Industry Standard IEC 60309 2P+E 32A IP44 ‘Commando’ input connector**
- **Designed to IT equipment safety standard EN 60950-1**
- **Fully 360° screened input cable to maintain red/black separation to filter**
- **Low Smoke Zero Halogen (LSZH) rated cabling for use in sensitive areas**
- **Self-healing metallised plastic film capacitor dielectric for fail-safe transient handling**
- **Rugged Stainless Steel enclosure**
- **Design of filter is downline tolerable to a personnel protection RCCB**
- **CE and RoHS Compliant**

RATINGS AND CHARACTERISTICS

Part Number	DS30838
NATO Stock Number	5915-99-882-1971
Number of Lines	2 (Single Phase and Neutral or 2 Phase)
Rated Voltage	250Vac 50/60Hz
Test Voltage (line – earth)	2250Vdc
Test Voltage (line – line)	1250Vdc
Rated Current, I _R at 50°C	32A
Maximum Earth Leakage Current	20mA
Maximum Temperature Rise on Full Load	25°C
Operating Temperature Range	-25°C to 50°C
Insertion Loss (50Ω, asymmetric)	60dB from 100kHz to 1GHz (see graph)
Discharge Time	Less than 1s to below 34V



DIMENSIONS AND MECHANICAL DETAILS (All dimensions in mm)



Enclosure	Ferromagnetic Stainless Steel
Capacitor Potting	Epoxy resin meeting UL94-V0
Output Termination	4 x BS1363 3-pin socket
Input Termination	IEC 60309 2P+E 32A IP44 'Commando' plug on 2m flexible screened LSZH cable
Earth Connection	Via input termination earth pin
Fusing	No fusing within filter unit. The User must ensure adequate fusing
Mounting	4 x ϕ 6mm holes
Weight (approx.)	10.0kg
Finish	Natural, brushed.
Marking	Self-adhesive label (see outline drawing for details)

INSTALLATION

Although the filter does not need to be mounted to a solid surface, it is provided with a mounting option and were possible it should be fixed securely with maximum distance between the filter and the User's device. The Input screened cable and the User's Output cables should be maximally separated from each other to maintain red/black cable separation. Please see the MPE TEMPEST Pluggable Filters Installation and Maintenance Guide Application Note for further information.

SAFETY

Relevant safety standards have been adhered to in the design and manufacture of this product. The filter must be solidly and permanently earthed to allow safe discharge of all internal capacitors - The earth connection of the input plug must be present and must not be interfered with. There is no fuse within the filter unit. The User must ensure adequate fusing. The User should ensure they do not overload the filter over the 32A load limit.